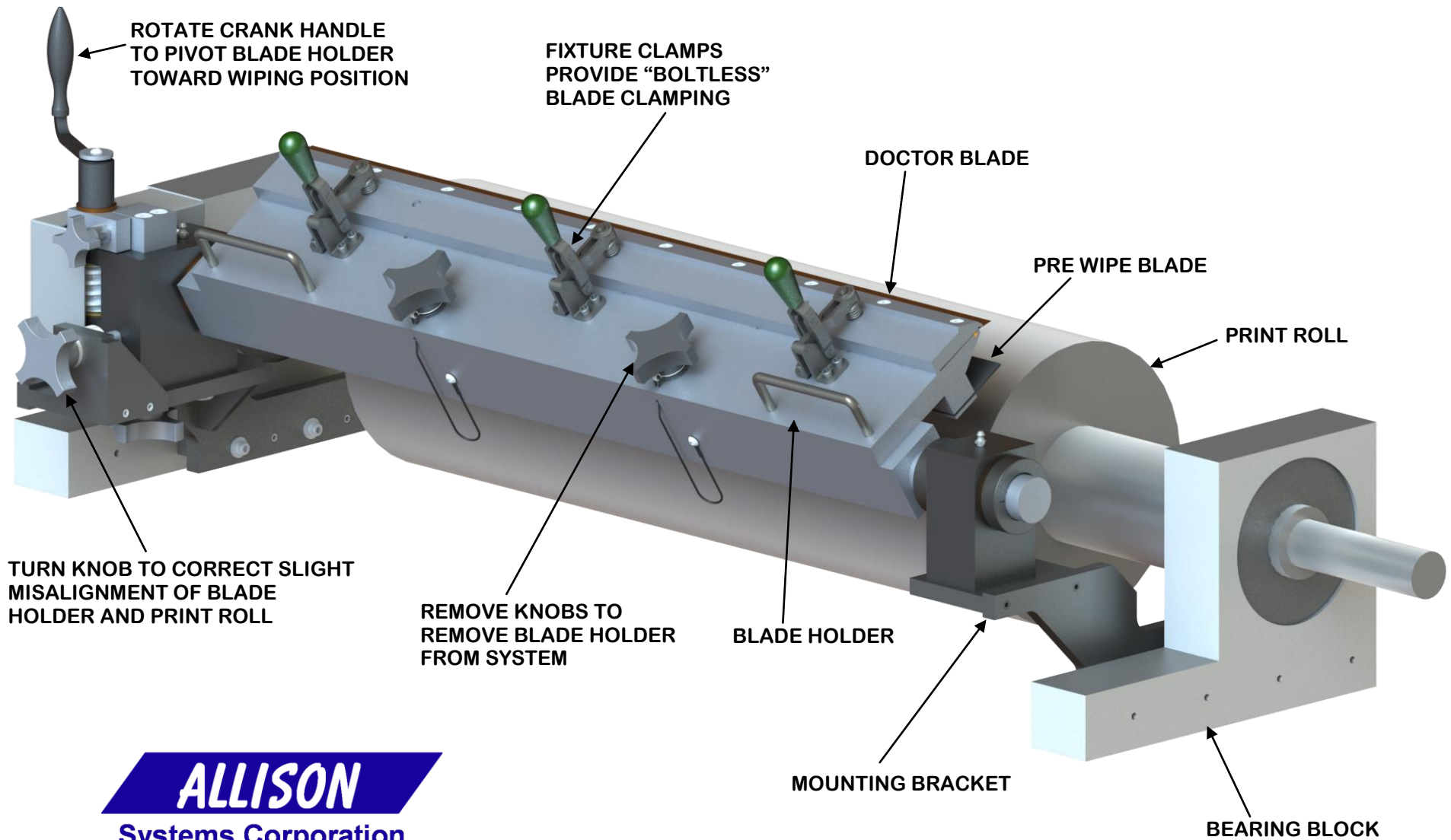


ALLISON SYSTEMS TYPE 1 DOCTOR BLADE SYSTEM



ALLISON
Systems Corporation

220 Adams St. 856-461-9111
Riverside, NJ 08075 Fax 856-461-9373
www.allisonblades.com