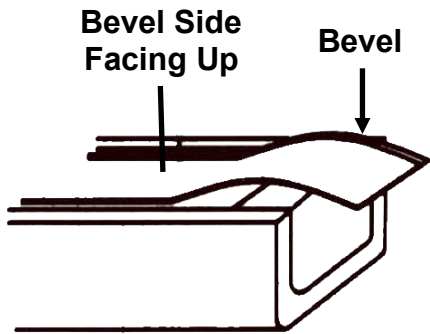


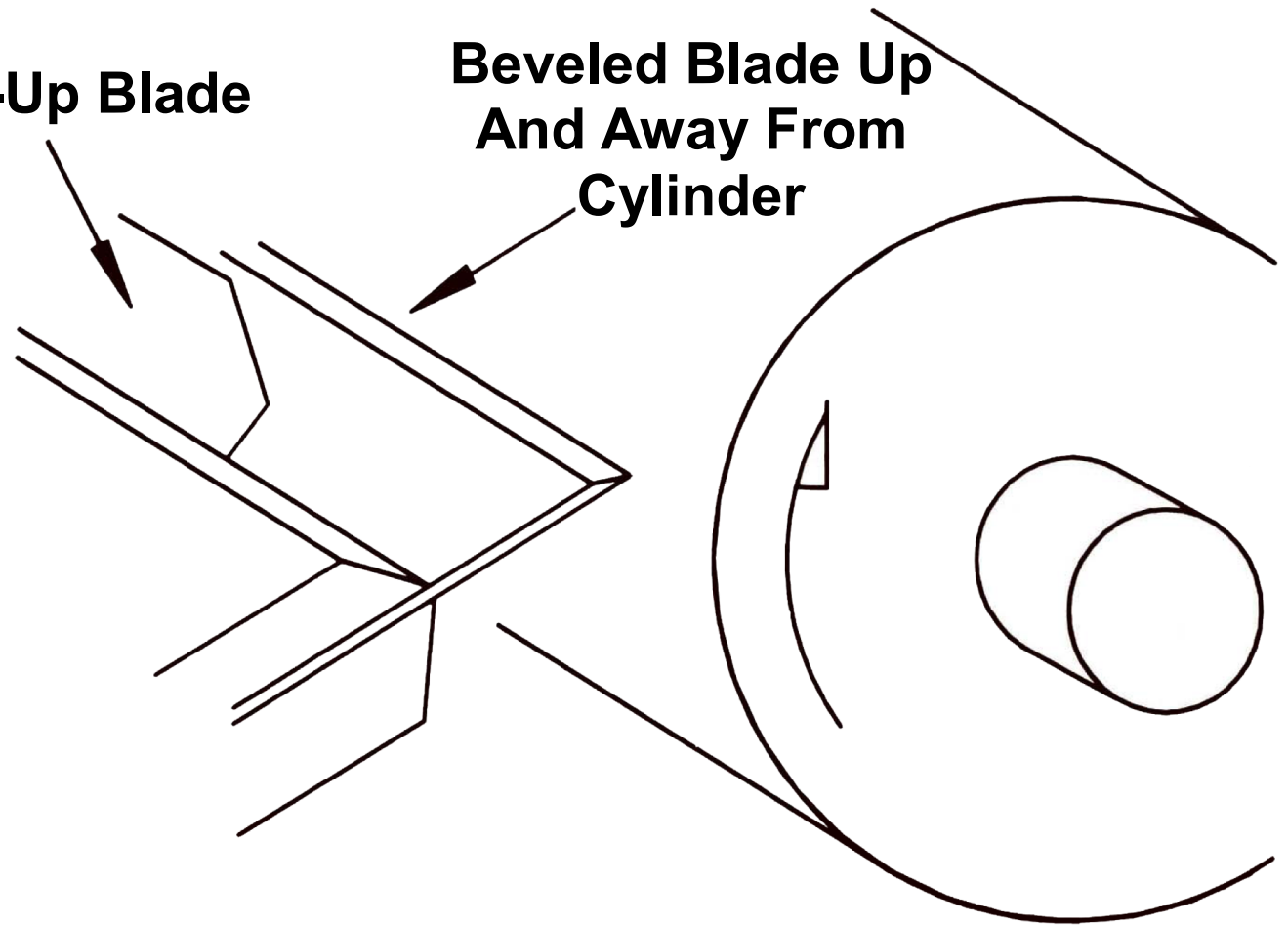
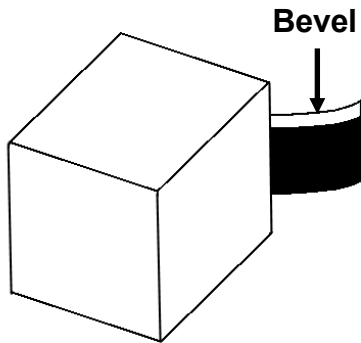
# Install Blades This Way For GRAVURE

Back-Up Blade

Beveled Blade Up  
And Away From  
Cylinder



OR



Gravure or Coater  
("trailing blade")

Rev 4  
12/2017