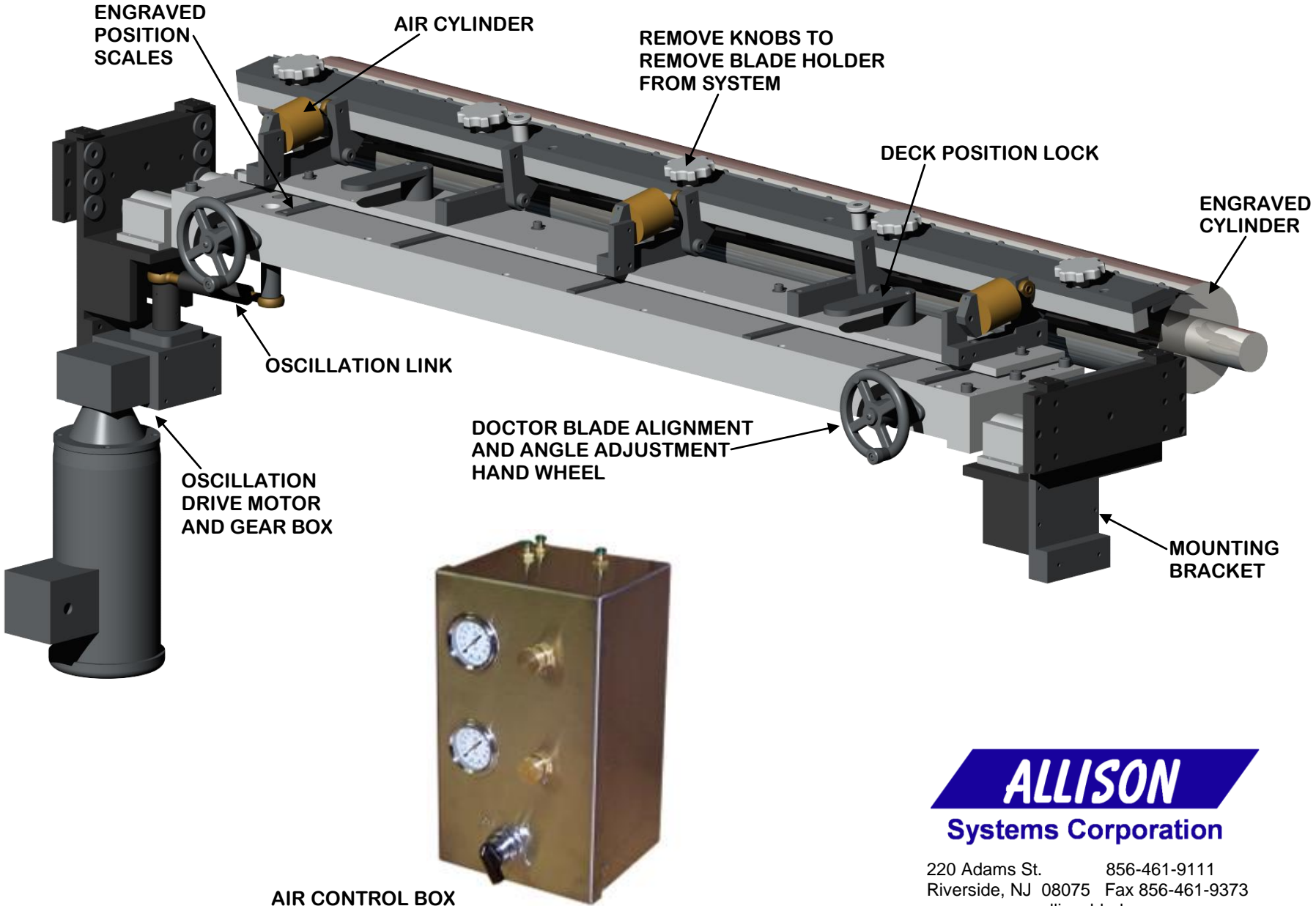


# ALLISON SYSTEMS H-DECK DOCTOR BLADE SYSTEM



**ALLISON**  
Systems Corporation

220 Adams St. 856-461-9111  
Riverside, NJ 08075 Fax 856-461-9373  
[www.allisonblades.com](http://www.allisonblades.com)