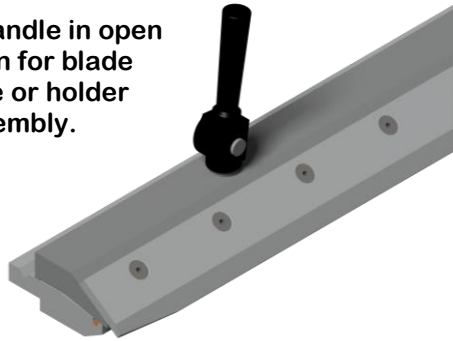


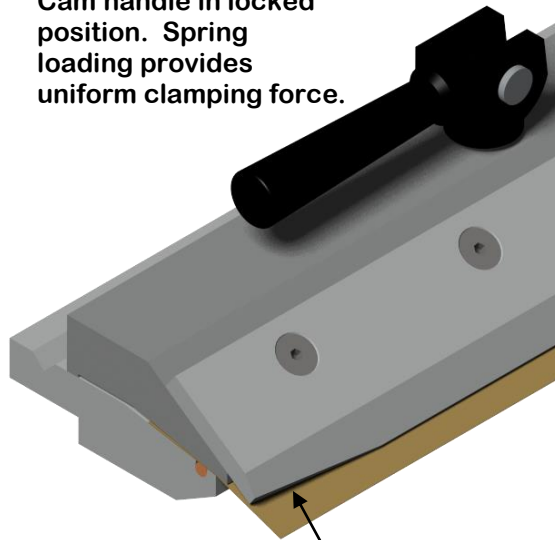
# RETROFIT DOCTOR BLADE HOLDERS

Replace worn or damaged blade holders with a holder that features boltless blade clamping and tool-less disassembly for wash up.

Cam handle in open position for blade change or holder disassembly.



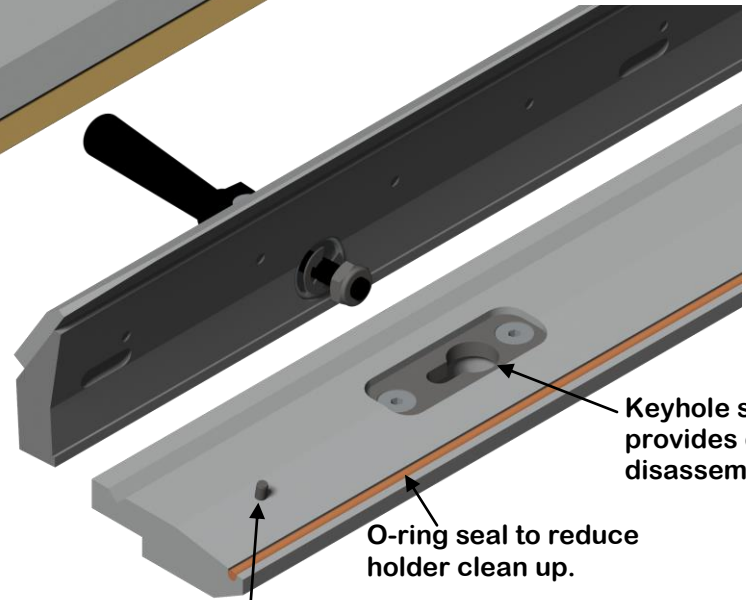
Cam handle in locked position. Spring loading provides uniform clamping force.



Tapered nose piece provides reduced doctor blade force at the end of the gravure cylinder or anilox roll.



220 Adams St. 856-461-9111  
Riverside, NJ 08075 Fax 856-461-9373  
www.allisonblades.com



Keyhole slot provides quick disassembly.

O-ring seal to reduce holder clean up.

Dowel pins for easy blade positioning.