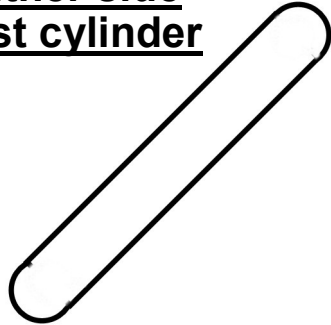
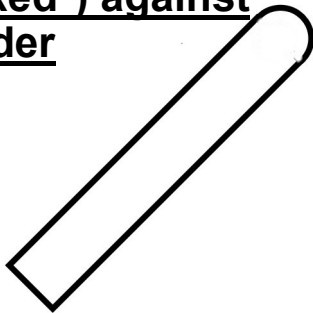


Rounded-Tip Blades for GRAVURE

Double Round—
Use either side
against cylinder

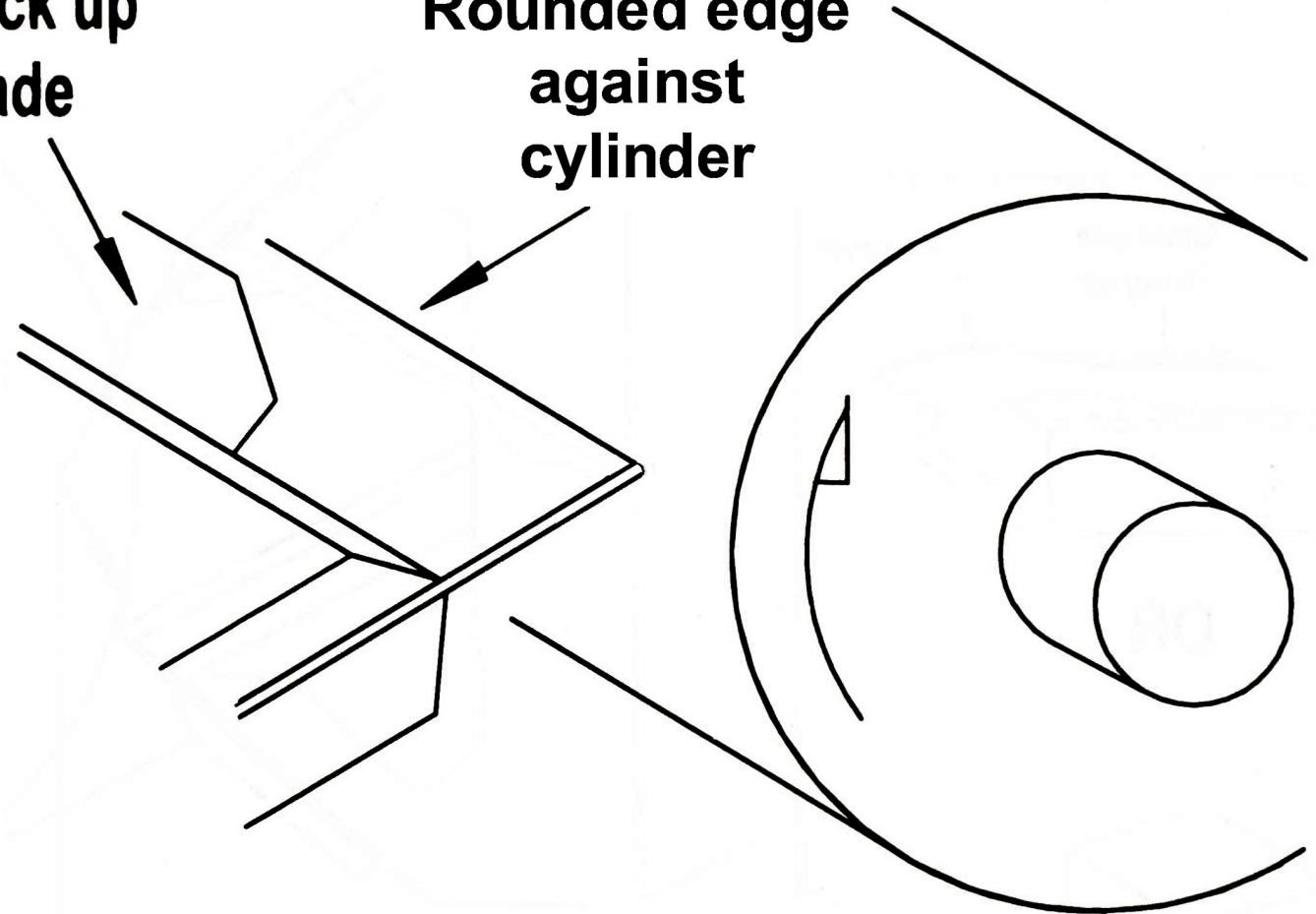


Single Round—
Use round side
(marked*) against
cylinder



back up
blade

Rounded edge
against
cylinder



* Single round edge to be used against the cylinder is marked with an arrow pointing to the round edge.

Gravure or Coater
("trailing blade")

Rev 3
5/2022